

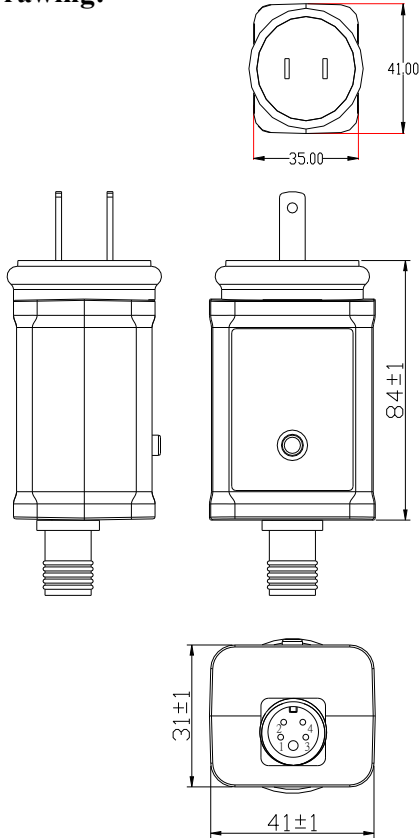
TDC Power Products Co.,Ltd  
Cheng Yen Electronic Co.,Ltd

**SA3A-06-24AX2**

INPUT VOLTAGE : 100VAC  
OUTPUT VOLTAGE : 24VDC

## SWITCHING POWER SUPPLY SPECIFICATION REV:1-1

### Drawing:



### ELECTRONICAL SPECIFICATION

INPUT VOLTAGE : 100 Vac    INPUT RANGE VOLTAGE 90~132 Vac  
 INPUT FREQUENCY : 50~60 Hz    INPUT RANGE FREQUENCY 47~63 Hz  
 INPUT CURRENT : 0.15 Amp. rms. at 100 Vac  
 INRUSH CURRENT : 8 Amp. peak at 120 Vac  
 Tested At Max. load 25°C , Cold start

NO LOAD OUTPUT VOLTAGE 26 ± 5V %  
 OUTPUT MAX VOLTAGE : 24 ± 10V % USE 24 V LED String Lights.(note1.)  
 MIN. LOAD CURRENT : 0 A  
 MAX. LOAD CURRENT 1 : 0.0625 A  
 MAX. LOAD CURRENT 2 : 0.0625 A  
 MAX. LOAD CURRENT 3 : 0.0625 A  
 MAX. LOAD CURRENT4: 0.0625 A  
 LINE REGULATION : INPUT = 100~120 Vac. output loaded at Max. load.  
 REGULATION = ± 5 %

TOTAL OUTPUT : 6 W  
 POWER EFFICIENCY : 73.4% Min. at 100 Vac 50/60 Hz. Max. load.  
 TOTAL INPUT POWER PROTECTION : 6.8~8.8W  
 NO SHORT CIRCUIT PROTECTION. OVER POWER PROTECTION .  
 TRANSFORMER BUILD 8 FUNCTIONAL CONTROLLER (MEMORY FUNCTION)  
 1.COMBINATION 2.STEADY ON 3.IN WAVES 4.SEQUENTIAL  
 5.CHASING/FLASH 6.SLO GLO 7.STEPPING ON 8.SLOW FADE  
 (note1.):THE OUTPUT VOLTAGE IS DETERMINED BY THE LDE STRING LINGHTS.  
 (DETERMINED BY LED FORWARD VOLTAGE.)

### MECHANICAL SPECIFICATION

DIMENSIONS: 84 (L) \* 41(W) \* 31(H)mm (Tolerance as drawing)  
 WEIGHT: 150 g Max.  
 OPERATING TEMPERATURE: -20°C To 40°C  
 STORAGE TEMPERATURE: -30°C To 60°C  
 RELATIVE TEMPERATURE: 40°C ± 2°C  
 MTBF ≥ 100,000 hrs to MIL-HDBK-217F    Warranty: 2 years

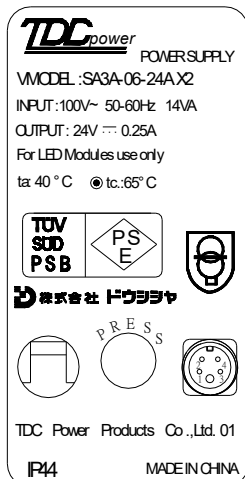
Input Cable : PLUG-IN

Output Cable : 5Pin waterproof Female socket BK

### STANDARD

### LABEL:

SIZE:31\*61mm

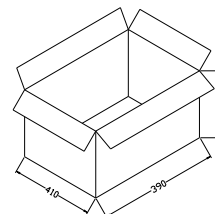
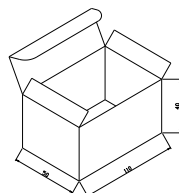


Safty: PSE:J61347-1(H20). J61347-2-13(H21)

EMC: PSE:J55015(H20)

RELATIVE HUMIDITY 85% RH. Non-condensing

### INNER BOX:



CARTON:390\*410\*270mm

Material:K=A NoNail

Q'TY 120 PCS

N.W.: 17.5 KGS

G.W.: 19.5 KGS

MEAS: 1.52 CUFT

### PHOTO

