

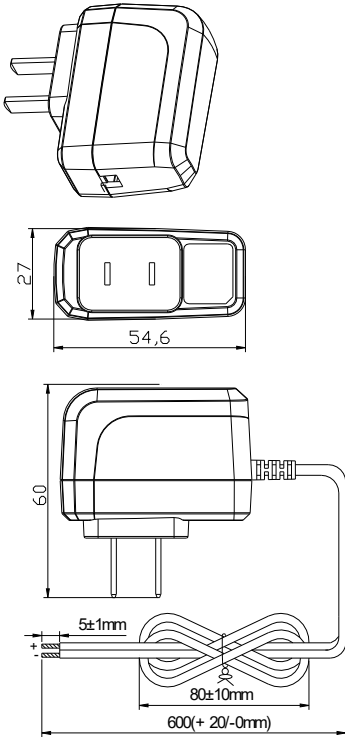
TDC Power Products Co.,Ltd  
Cheng Yen Electronic Co.,Ltd

**SA5A-040-0350SA**

INPUT VOLTAGE : 100~120V AC  
OUTPUT VOLTAGE : 4V DC

## SWITCHING POWER SUPPLY SPECIFICATION

### Drawing:



### ELECTRONICAL SPECIFICATION

INPUT VOLTAGE : 100~120 Vac INPUT RANGE VOLTAGE 90~132 Vac  
 INPUT FREQUENCY : 50~60 Hz INPUT RANGE FREQUENCY 47~63 Hz  
 INPUT CURRENT : 0.04 Amp. rms. at 100 Vac  
 INRUSH CURRENT : 10 Amp. peak at 100 Vac  
 Tested At Max. load 25°C , Cold start

OUTPUT VOLTAGE : 4 V ± 5%  
 OUTPUT CURRENT : 0.35 A ± 5%  
 RIPPLE AND NOISE 1 : 100 mVp-p Max. At 100 Vac, 50/60 Hz, Max. load 25°C  
 NOISE TEST BANDWIDTH : 20 MHz

Each output bypassed by a 10uF electrolytic capacitor parallel with a 0.1uF ceramic capacitor to GND.

LINE REGULATION : INPUT = 100 ~ 120 Vac. output loaded at Max. load.  
 REGULATION = ± 5 %

TOTAL OUTPUT : 1.4 W  
 POWER EFFICIENCY : 63.51% Min. at 100~120 Vac 50/60 Hz. Max. load.  
 OVER CURRENT PROTECTION : OVER VOLTAGE PROTECTION SHORT CIRCUIT PROTECTION  
 TOTAL POWER PROTECTION 2 W  
 LOW STANDBY POWER 0.1 W Max

Dimensions : 54.6(L) \* 27(W) \* 60(H)mm (Tolerance as drawing)  
 Weight : 73 g Max.

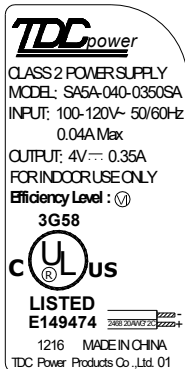
Storage Temperature : -15°C To 50°C Operating Temperature : -10°C To 40°C  
 Relative Temperature : 35°C ± 5°C  
 RELATIVE HUMIDITY 85% RH. Non-condensing  
 DIELECTRIC WITHSTANDTEST: INPUT TO OUTPUT: 4250 Vdc, 10 mA, 1 Min.  
 MTBF : Meet Mil-HDBK-217F 50KHrs Min. at 25°C  
 BURN-IN : 4 Hours, 40±5°C Max

Input Cable : DIRECT PLUG-IN

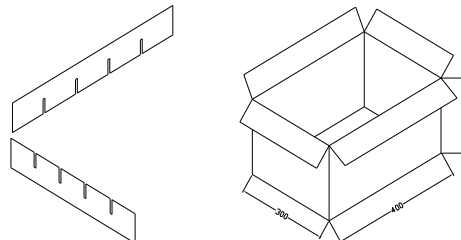
Output Cable : 5.5\*2.1\*10MALE  
CONNECTOR

Safety: UL1310  
EMC: FCC PART 18.

### LABEL:



**CAUTION:** Risk of electric shock  
Dry location use only Do not expose to liquid,  
vapor, or rain.  
**AVERTISSEMENT**  
Risque de décharge électrique. Utiliser seulement  
dans un endroit sec. Ne pas exposer aux liquides,  
à la vapeur ou à la pluie.



CARTON: 400\*300\*320mm  
Material: K=A NoNail  
Q'TY 100 PCS  
N.W.: 4 KGS  
G.W.: 6 KGS  
MEAS: 1.35 CUFT

### PHOTO

