

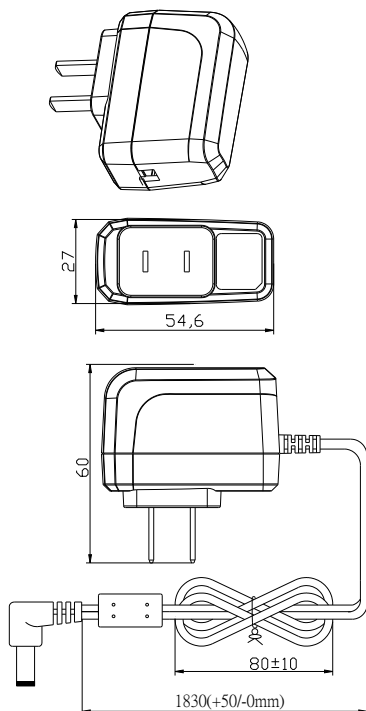
TDC Power Products Co.,Ltd
Cheng Yen Electronic Co.,Ltd

SA5A-050-1500SA

INPUT VOLTAGE : 120 VAC
OUTPUT VOLTAGE : 5 VDC

SWITCHING POWER SUPPLY SPECIFICATION REV:1-0

Drawing:



ELECTRONICAL SPECIFICATION

INPUT VOLTAGE : 120 Vac INPUT RANGE VOLTAGE 90~132 Vac
 INPUT FREQUENCY : 60 Hz INPUT RANGE FREQUENCY 47~63 Hz
 INPUT CURRENT : 0.25 Amp. rms. at 120 Vac
 INRUSH CURRENT : 25 Amp. peak at 120 Vac
 Tested At Max. load 25°C , Cold start

OUTPUT VOLTAGE : 5 V
 REGULATION : ±5 %
 MIN. LOAD CURRENT : 0 A
 MAX. LOAD CURRENT : 1.5 A
 OVER CURRENT PROTECTION: 2 A Max
 RIPPLE AND NOISE : 100 mVp-p Max. At 120 Vac, 60 Hz, Max. load 25°C
 NOISE TEST BANDWIDTH : 20 MHz

Each output bypassed by a 10uF electrolytic capacitor parallel with a 0.1uF ceramic capacitor to GND.

LINE REGULATION : INPUT = 120 Vac. output loaded at Max. load.
 REGULATION = ±5 %

TOTAL OUTPUT : 5 W
 POWER EFFICIENCY : 74.6% Min. at 120 Vac 60 Hz. Max. load.
 AVERAGE EFFICIENCY : 76.6% Min. at 120 Vac 60 Hz. Max.
 TOTAL INPUT POWER PROTECTION : 10 W LOW POWER COMSUMPTION : 0.1 W max.
 OVER CURRENT PROTECTION, SHORT CIRCUIT PROTECTION
 PROGRAMMABLE CV AND CC REGULATION
 HIGH PRECISION CONSTANT VOLTAGE AND CURRENT REGULATION

MECHANICAL SPECIFICATION

DIMENSIONS: 54.6 (L) * 60 (W) * 27(H)mm (Tolerance as drawing)
 WEIGHT: 40 g Max.
 OPERATING TEMPERATURE: -20°C To 40°C
 STORAGE TEMPERATURE: -30°C To 60°C
 RELATIVE TEMPERATURE: 40°C ± 2°C
 Warranty: 1 years

Input Cable : DIRECT PLUG-IN

2468 22#2C

Output Cable : 1.83M+5.5*2.1*10mm(L)

DC PLUG

SIZE:37*18 mm

STANDARD

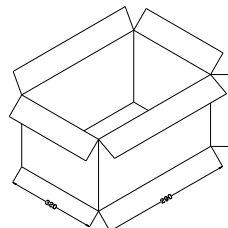
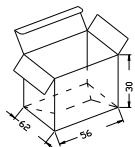
Safty: UL1310.

EMC:FCC PART 15B.

RELATIVE HUMIDITY 85% RH. Non-condensing

INNER BOX:

Material: WEB
 BOX: 56*62*30mm



CARTON:290*320*140mm

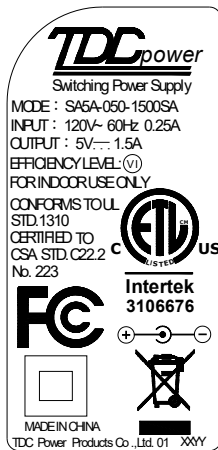
Material:K=A NoNail

Q'TY 100 PCS

N.W. : 4 KGS

G.W.: 6 KGS

MEAS: 0.45 CUFT



PHOTO

