

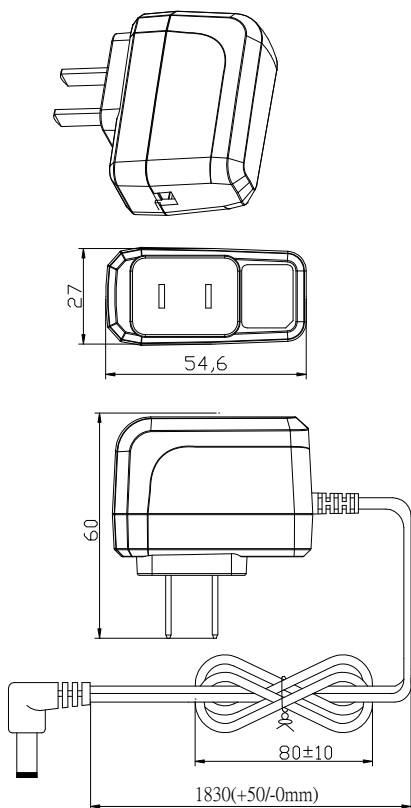
TDC Power Products Co.,Ltd
Cheng Yen Electronic Co.,Ltd

SA5A-120-0416SA

INPUT VOLTAGE : 100~240VAC
OUTPUT VOLTAGE : 12VDC

SWITCHING POWER SUPPLY SPECIFICATION REV:1-0

Drawing:



ELECTRONICAL SPECIFICATION

INPUT VOLTAGE : 100~240 Vac INPUT RANGE VOLTAGE 90~264 Vac
 INPUT FREQUENCY : 50~60 Hz INPUT RANGE FREQUENCY 47~63 Hz
 INPUT CURRENT : 0.25 Amp. rms. at 100 Vac
 INRUSH CURRENT : 20 Amp. peak at 240 Vac
 Tested At Max. load 25°C , Cold start

OUTPUT VOLTAGE : 12 V
 REGULATION : ±5 %
 MIN. LOAD CURRENT : 0 A TYPICAL LOAD CURRENT: 0.416 A
 MAX. LOAD CURRENT : 0.45 A
 RIPPLE AND NOISE : 120 mVp-p Max. At 100~240 Vac, 50/60 Hz, Max. load 25°C
 NOISE TEST BANDWIDTH : 20 MHz

Each output bypassed by a 10uF electrolytic capacitor parallel with a 0.1uF ceramic capacitor to GND.

LINE REGULATION : INPUT = 100 ~ 240 Vac. output loaded at Max. load.
 REGULATION = ±5 %

LOAD REGULATION : ±5 % at measured output load from 10%~100% rated load.
 TOTAL OUTPUT WATTAGE : 5 W
 NO LOAD POWER COMSUMPTION : 0.1 W max.
 AVERAGE EFFICIENCY : 72.76% Min. at 115Vac 60Hz / 230 Vac 50 Hz.
 MEET EFFICIENCY LEVEL : VI

OVER CURRENT PROTECTION, OVER VOLTAGE PROTECTION, SHORT CIRCUIT PROTECTION.
 DIELECTRIC WITHSTAND VOLTAGE : PRIMARY TO SECONDARY 4.242KVdc 10mA 60 SEC.
 INSULATION RESISTANCE: DC 500V 30M OHM MIN BETWEEN INPUT TO OUTPUT AND ENCLOSURE.

MECHANICAL SPECIFICATION

DIMENSIONS: 54.6(L) *27 (W) *76(H)mm (Tolerance as drawing)
 WEIGHT: 40 g Max.
 WORKING TEMPERATURE: -20°C To 40°C
 STORAGE TEMPERATURE: 5°C To 80°C
 RELATIVE HUMIDITY: 10% TO 90%
 MTBF:MIL-HDBK-217F 100KHrs25°C MIN.

Input Cable : DIRECT PLUG-IN

2468 22#2C

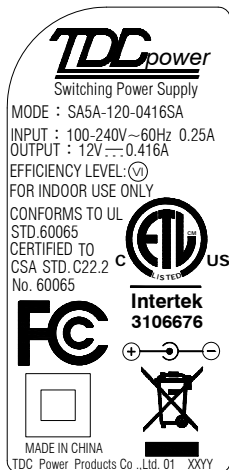
Output Cable : 1.83M+3.5*1.35*9mm
 (L)DC PLUG

STANDARD

Safty: UL / cUL (UL60065) Rohs 2.0 COMPLIANT
 FCC Part 15 Subpart B

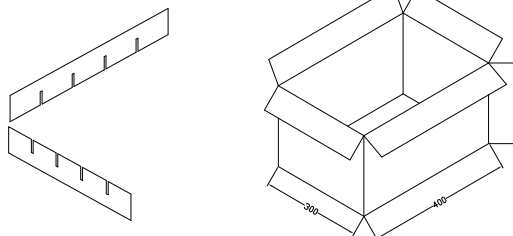
LABEL:

SIZE:37*18 mm



RELATIVE HUMIDITY 85% RH. Non-condensing

INNER BOX:



CARTON:400*300*320mm
 Material:K=A NoNail
 Q'TY 100 PCS
 N.W. : 4 KGS
 G.W.: 6 KGS
 MEAS: 1.36 CUFT

PHOTO

