

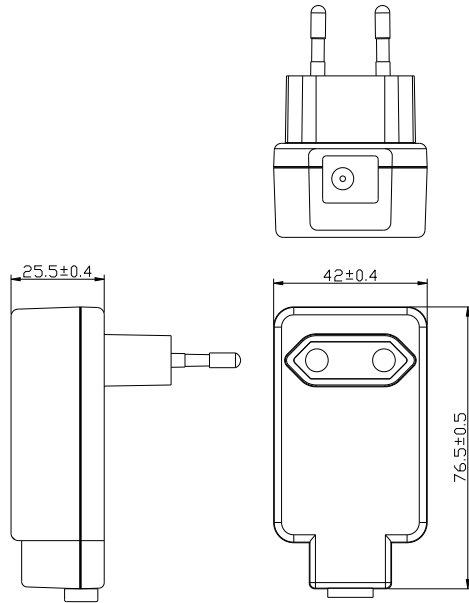
TDC Power Products Co.,Ltd
Cheng Yen Electronic Co.,Ltd

SA6E-150-0400

INPUT VOLTAGE : 220~240VAC
OUTPUT VOLTAGE : 15VDC

SWITCHING POWER SUPPLY SPECIFICATION REV:1-1

Drawing:



ELECTRONICAL SPECIFICATION

INPUT VOLTAGE : 220~240 Vac INPUT RANGE VOLTAGE 200~264 Vac
 INPUT FREQUENCY : 50 Hz INPUT RANGE FREQUENCY 47~53 Hz
 INPUT CURRENT : 0.04 Amp. rms. at 230 Vac
 INRUSH CURRENT : 20 Amp. peak at 230 Vac
 30 Amp. peak at 240 Vac
 Tested At Max. load 25°C , Cold start

OUTPUT VOLTAGE : 15 V
 REGULATION : ± 5 %
 MIN. LOAD CURRENT : 0 mA
 MAX. LOAD CURRENT : 0.48 A ,Current Range : 420~540 mA
 POWER FACTOR ≥ 0.85 at 230 Vac /50 Hz Full Load .Meets IEC61000-3-2 Harmonic Class C
 RIPPLE AND NOISE : 1.5 Vp-p Max. At 240 Vac, 50 Hz, Max. load 25°C
 NOISE TEST BANDWIDTH : 20 MHz

Each output bypassed by a 10uF electrolytic capacitor parallel with a 0.1uF ceramic capacitor to GND.

LINE REGULATION : INPUT = 220 ~ 240 Vac,output loaded at Max. load.
 REGULATION = ± 5 %

TOTAL OUTPUT : 7.2 W
 POWER EFFICIENCY : 74.6% Min. at 220~240 Vac 50 Hz, Max. load.
 OVER CURRENT PROTECTION , SHORT CIRCUIT PROTECTION
 TOTAL POWER PROTECTION : 15 W
 OVER VOLTAGE PROTECTION : 18 Vdc Max.
 STANDBY POWER: 0.3 W Max

MECHANICAL SPECIFICATION

Dimensions : 76.5 (L) *42(W) * 25.5(H)mm (Tolerance as drawing)
 Weight : 97 g Max.
 Operating Temperature : 0°C To 40°C
 Storage Temperature : -15°C To 50°C
 Relative Temperature : 40°C ± 2°C
 MTBF: 50,000 hrs to MIL-HDBK-217F Warranty: 2 years

Input Cable : DIRECT PLUG-IN

Output Cable : 5.5*2.1 Female socket BK

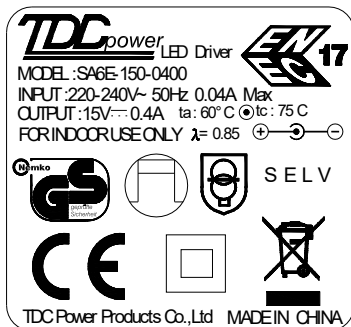
STANDARD

Safty:EN61347-1,EN61347-2-13. EMC:EN55015,EN61000-3-2,EN61000-3-0,EN61547

RELATIVE HUMIDITY 85% RH. Non-condensing

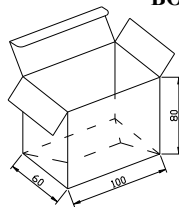
LABEL:

SIZE:27.5*25.5mm



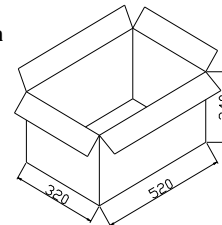
INNER BOX:

Material: WEB
BOX: 100*60*80mm



CARTON:520*320*340mm

Material:K=A No Nail
 Q'TY: 100 PCS
 N.W.: 9.7 KGS
 G.W.: 11.7 KGS
 MEAS: 2.0 CUFT



photo

