

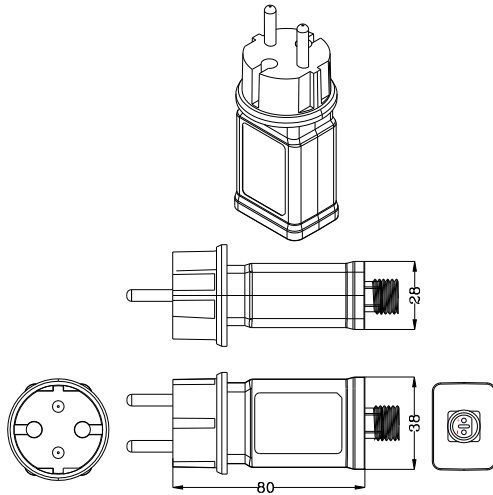
TDC Power Products Co.,Ltd  
Cheng Yen Electronic Co.,Ltd

**SA8E-06-31WX1**

**INPUT VOLTAGE :** 220~240VAC  
**OUTPUT VOLTAGE :** 31VDC

## SWITCHING POWER SUPPLY SPECIFICATION REV:1-0

### Drawing:



### ELECTRONICAL SPECIFICATION

INPUT VOLTAGE : 220~240 Vac      INPUT RANGE VOLTAGE 200~264 Vac  
 INPUT FREQUENCY : 50~60 Hz      INPUT RANGE FREQUENCY 47~63 Hz  
 INPUT CURRENT : 0.09 Amp. rms. at 220 Vac  
 INRUSH CURRENT : 20 Amp. peak at 240 Vac  
 Tested At Max. load 25°C , Cold start

OUTPUT VOLTAGE : 31 V  
 REGULATION : ±5 %  
 MIN. LOAD CURRENT : 0 A  
 MAX. LOAD CURRENT : 0.194 A  
 RIPPLE AND NOISE : 350 mVp-p Max. At 220~240 Vac, 50/60 Hz, Max. load 25°C  
 NOISE TEST BANDWIDTH : 20 MHz

Each output bypassed by a 10uF electrolytic capacitor parallel with a 0.1uF ceramic capacitor to GND.

LINE REGULATION : INPUT = 220 ~ 240 Vac. output loaded at Max. load.  
 REGULATION = ± 5 %

TOTAL OUTPUT : 6 W  
 POWER EFFICIENCY : 76.9% Min. at 220~240 Vac 50/60 Hz. Max. load.  
 AVERAGE EFFICIENCY : 78.9% Min. at 220~240 Vac 50/60 Hz.  
 TOTAL INPUT POWER PROTECTION : 11 W      LOW POWER COMSUMPTION : 0.075 W max.  
 OVER CURRENT PROTECTION, SHORT CIRCUIT PROTECTION  
 PROGRAMMABLE CV AND CC REGULATION  
 HIGH PRECISION CONSTANT VOLTAGE AND CURRENT REGULATION

### MECHANICAL SPECIFICATION

DIMENSIONS: 80(L) \*38 (W) \*28(H)mm (Tolerance as drawing)  
 WEIGHT: 90.6 g Max.  
 OPERATING TEMPERATURE: -20°C To 40°C  
 STORAGE TEMPERATURE: -30°C To 60°C  
 RELATIVE TEMPERATURE: 40°C ± 2°C

Input Cable : DIRECT PLUG-IN  
 2Pin Φ2.35waterproof  
 Output Cable : Female socket BK

Warranty: 1 years

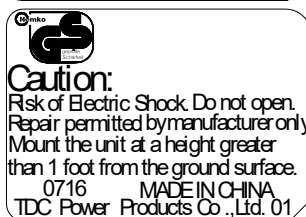
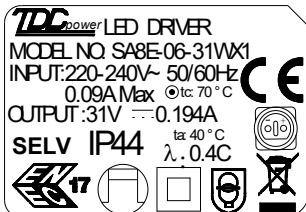
### STANDARD

Safty: EN61347-1,EN61347-2-13.EN62384.

EMC: EN55015,EN61000-3-2,EN61000-3-3,EN61547.

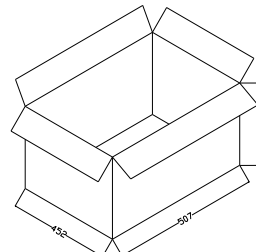
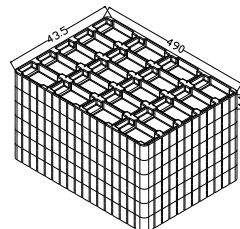
### LABEL:

SIZE:35.5\*24.5 mm



RELATIVE HUMIDITY 85% RH. Non-condensing

### INNER BOX:



CARTON:507\*452\*282mm

Material:K=A NoNail

Q'TY 280 PCS

N.W. : 25.3 KGS

G.W.: 27.3 KGS

MEAS: 2.28 CUFT

### PHOTO

