

TDC Power Products Co.,Ltd  
Cheng Yen Electronic Co.,Ltd

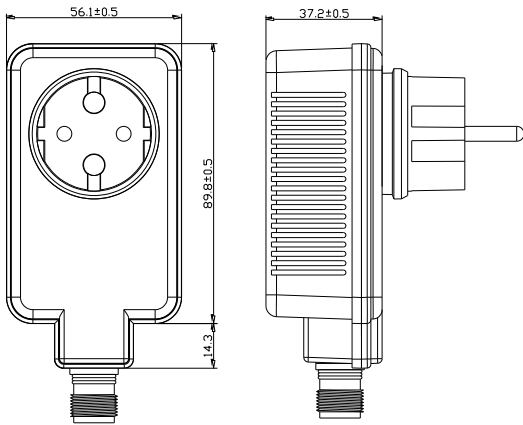
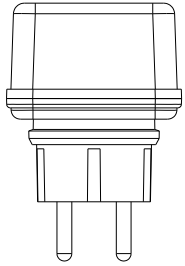
**SA8E-120-2100WP**

INPUT VOLTAGE : 220~240VAC

OUTPUT VOLTAGE : 12VDC

## SWITCHING POWER SUPPLY SPECIFICATION REV:1-1

### Drawing:



### ELECTRONICAL SPECIFICATION

INPUT VOLTAGE : 220~240 Vac      INPUT RANGE VOLTAGE 200~264 Vac  
 INPUT FREQUENCY : 50 Hz      INPUT RANGE FREQUENCY 47~53 Hz  
 INPUT CURRENT : 0.2 Amp. rms. at 240 Vac  
 INRUSH CURRENT : 50 Amp. peak at 240 Vac  
 Tested At Max. load 25°C , Cold start

OUTPUT VOLTAGE : 12 V  
 REGULATION : ±5 %  
 MIN. LOAD CURRENT : 0 A  
 MAX. LOAD CURRENT : 2.1 A  
 POWER FACTOR ≥ 0.75 at 230 Vac /50 Hz Full Load .Meets IEC61000-3-2 Harmonic Class C  
 RIPPLE AND NOISE : 1.3 Vp-p Max. At 240 Vac, 50 Hz, Max. load 25°C  
 NOISE TEST BANDWIDTH : 20 MHz

Each output bypassed by a 10uF electrolytic capacitor parallel with a 0.1uF ceramic capacitor to GND.

LINE REGULATION : INPUT = 220 ~ 240 Vac,output loaded at Max. load.  
 REGULATION = ±5 %

TOTAL OUTPUT : 25.2 W  
 POWER EFFICIENCY : 80% Min. at 220~240 Vac 50 Hz, Max. load.  
 OVER CURRENT PROTECTION , SHORT CIRCUIT PROTECTION  
 TOTAL POWER PROTECTION : 55 W  
 OVER VOLTAGE PROTECTION : 15 Vdc Max.

### MECHANICAL SPECIFICATION

Dimensions : 104.1(L) \*56.1 (W) \*37.2 (H)mm (Tolerance as drawing)  
 Weight : 275 g Max.  
 Operating Temperature : -35°C To 40°C  
 Storage Temperature : -35°C To 50°C  
 Relative Temperature : 40°C ± 2°C  
 MTBF: 50,000 hrs to MIL-HDBK-217F      Warranty: 2 years

Input Cable : DIRECT PLUG-IN

Output Cable : 2Pin Φ2.35 waterproof  
Female socket BK

LABEL:  
SIZE:34.6\*44.6mm

**TDCpower** LED Transformer  
 MODEL : SA8E-120-2100WP  
 PRI : 220-240V~ 50Hz 0.2A Max λ= 0.83C  
 SEC : 12 V --- 2.1 A 25W ⊙ tc:64 °C

TDC Power Products Co.,Ltd. 01  
 ta 40 °C      **MADE IN CHINA**

### STANDARD

Safty:EN61347-1,EN61347-2-13.EN62384      EMC:EN61547,EN55015,EN61000-3-2,EN61000-3-3.

RELATIVE HUMIDITY 85% RH. Non-condensing

### INNER BOX:

Material: WEB

BOX: 115\*60\*90mm

CARTON: 480\*320\*290mm

Material:K=A No Nail

Q'TY: 60 PCS

N.W.: 16.5 KGS

G.W.: 18.5 KGS

MEAS: 1.57 CUFT

### photo

