

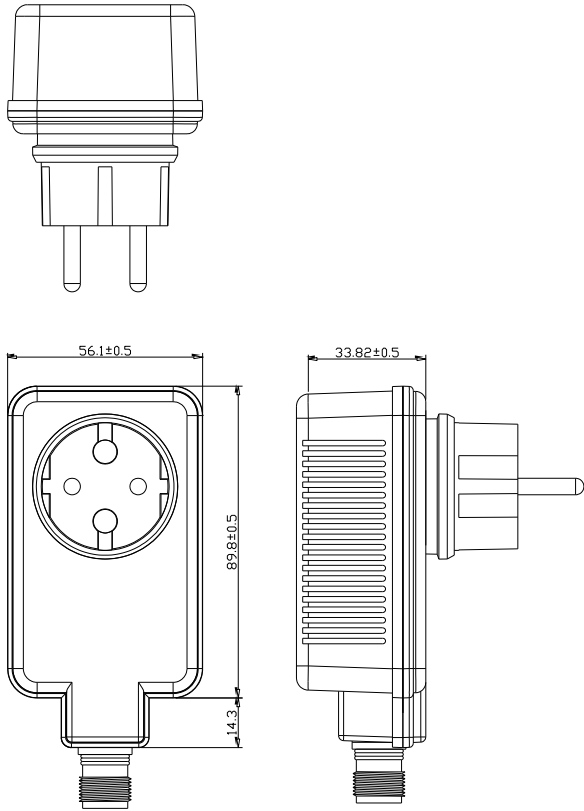
TDC Power Products Co.,Ltd
Cheng Yen Electronic Co.,Ltd

SA8E-320-0800WP

INPUT VOLTAGE : 220~240VAC
OUTPUT VOLTAGE : 32VDC

SWITCHING POWER SUPPLY SPECIFICATION REV:1-1

Drawing:



ELECTRONICAL SPECIFICATION

INPUT VOLTAGE : 220~240 Vac INPUT RANGE VOLTAGE 200~264 Vac
 INPUT FREQUENCY : 50 Hz INPUT RANGE FREQUENCY 47~53 Hz
 INPUT CURRENT : 0.2 Amp. rms. at 240 Vac
 INRUSH CURRENT : 50 Amp. peak at 240 Vac
 Tested At Max. load 25°C , Cold start
 OUTPUT VOLTAGE : 32 V
 REGULATION : ±5 %
 MIN. LOAD CURRENT : 0 A
 MAX. LOAD CURRENT : 0.8 A
 POWER FACTOR ≥ 0.75 at 230 Vac /50 Hz Full Load .Meets IEC61000-3-2 Harmonic Class C
 RIPPLE AND NOISE : 1.3 Vp-p Max. At 240 Vac, 50 Hz, Max. load 25°C
 NOISE TEST BANDWIDTH : 20 MHz
 Each output bypassed by a 10uF electrolytic capacitor parallel with a 0.1uF ceramic capacitor to GND.
 LINE REGULATION : INPUT = 220 ~ 240 Vac, output loaded at Max. load.
 REGULATION = ±5 %
 TOTAL OUTPUT : 25.6 W
 POWER EFFICIENCY : 80% Min. at 220~240 Vac 50 Hz, Max. load.
 OVER CURRENT PROTECTION , SHORT CIRCUIT PROTECTION
 TOTAL POWER PROTECTION : 60 W
 OVER VOLTAGE PROTECTION : 36 Vdc Max.

MECHANICAL SPECIFICATION

Dimensions : 104.1(L) *56.1 (W) *37.2 (H)mm (Tolerance as drawing)
 Weight : 275 g Max.
 Operating Temperature : 0°C To 40°C
 Storage Temperature : -15°C To 50°C
 Relative Temperature : 40°C ± 2°C
 MTBF: 50,000 hrs to MIL-HDBK-217F Warranty: 2 years

Input Cable : DIRECT PLUG-IN

Output Cable : 2Pin Φ2.35 waterproof Female socket BK

LABEL:

SIZE:34.6*44.6mm

TDCpower LED Transformer
 MODEL : SA8E-320-0800WP
 PRI : 220-240V~ 50Hz 0.2A Max λ= 0.83C
 SEC : 32 V ⎓ 0.8A tc:64 °C

IEC 17 GS CE
 IP44

TDC Power Products Co.,Ltd. 01
 ta 40 °C MADE IN CHINA

STANDARD

Safty:EN61347-1,EN61347-2-13.EN62384 EMC:EN61547,EN55015,EN61000-3-2,EN61000-3-3.

RELATIVE HUMIDITY 85% RH. Non-condensing

INNER BOX:

Material: WEB

BOX: 115*60*90mm

CARTON: 480*320*290mm

Material:K=A No Nail

Q'TY: 60 PCS

N.W.: 16.5 KGS

G.W.: 18.5 KGS

MEAS: 1.57 CUFT

photo

