

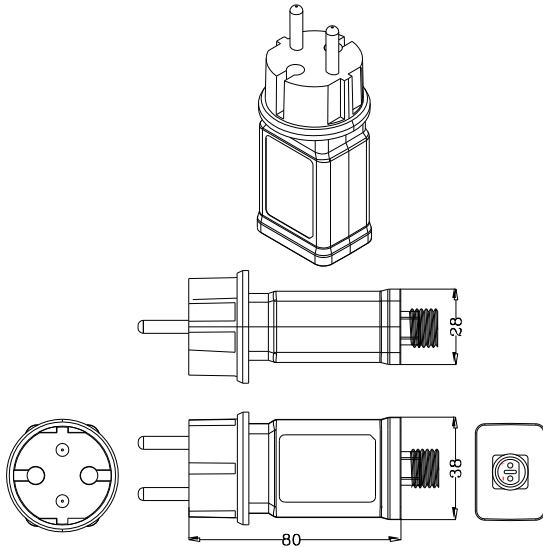
TDC Power Products Co.,Ltd
Cheng Yen Electronic Co.,Ltd

SA8E-8.4-31WX1

INPUT VOLTAGE : 220~240VAC
OUTPUT VOLTAGE : 31VDC

SWITCHING POWER SUPPLY SPECIFICATION REV:1-0

Drawing:



ELECTRONICAL SPECIFICATION

INPUT VOLTAGE : 220~240 Vac INPUT RANGE VOLTAGE 200~264 Vac
 INPUT FREQUENCY : 50~60 Hz INPUT RANGE FREQUENCY 47~63 Hz
 INPUT CURRENT : 0.13 Amp. rms. at 220 Vac
 INRUSH CURRENT : 30 Amp. peak at 240 Vac
 Tested At Max. load 25°C , Cold start

OUTPUT VOLTAGE : 31 V
 REGULATION : ±5 %
 MIN. LOAD CURRENT : 0 A
 MAX. LOAD CURRENT : 0.27 A
 RIPPLE AND NOISE : 350 mVp-p Max. At 220~240 Vac, 50/60 Hz, Max. load 25°C
 NOISE TEST BANDWIDTH : 20 MHz

Each output bypassed by a 10uF electrolytic capacitor parallel with a 0.1uF ceramic capacitor to GND.

LINE REGULATION : INPUT = 220 ~ 240 Vac. output loaded at Max. load.
 REGULATION = ± 5 %

TOTAL OUTPUT : 8.4 W
 POWER EFFICIENCY : 73.5% Min. at 220~240 Vac 50/60 Hz. Max. load.
 AVERAGE EFFICIENCY : 75.5% Min. at 220~240 Vac 50/60 Hz.
 TOTAL INPUT POWER PROTECTION : 14W LOW POWER COMSUMPTION : 0.075 W max.
 OVER CURRENT PROTECTION, SHORT CIRCUIT PROTECTION
 PROGRAMMABLE CV AND CC REGULATION
 HIGH PRECISION CONSTANT VOLTAGE AND CURRENT REGULATION

MECHANICAL SPECIFICATION

DIMENSIONS: 80(L) *38 (W) *28(H)mm (Tolerance as drawing)
 WEIGHT: 86.2 g Max.
 OPERATING TEMPERATURE: -20°C To 40°C
 STORAGE TEMPERATURE: -30°C To 60°C
 RELATIVE TEMPERATURE: 40°C ± 2°C
 Warranty: 1 years

Input Cable : DIRECT PLUG-IN
 2Pin Φ2.35waterproof
 Output Cable : Female socket BK

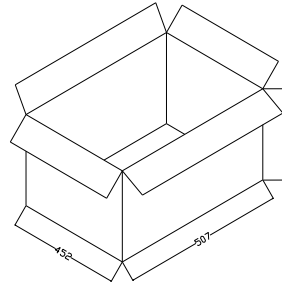
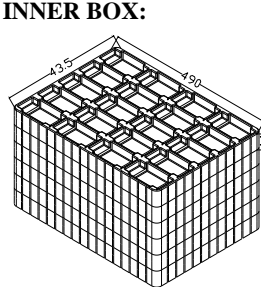
STANDARD

Safty: EN61347-1,EN61347-2-13.EN62384.
 EMC: EN55015,EN61000-3-2,EN61000-3-3,EN61547.
 RELATIVE HUMIDITY 85% RH. Non-condensing

LABEL:
 SIZE:35.5*24.5 mm

Caution:
 Risk of Electric Shock Do not open.
 Repair permitted by manufacturer only.
 Mount the unit at a height greater than 1 foot from the ground surface.
 0716 MADE IN CHINA
 TDC Power Products Co.,Ltd. 01

INNER BOX:



CARTON:507*452*282mm
 Material:K=A NoNail
 Q'TY 280 PCS
 N.W. : 24.1 KGS
 G.W.: 26.1 KGS
 MEAS: 2.28 CUFT

PHOTO

