

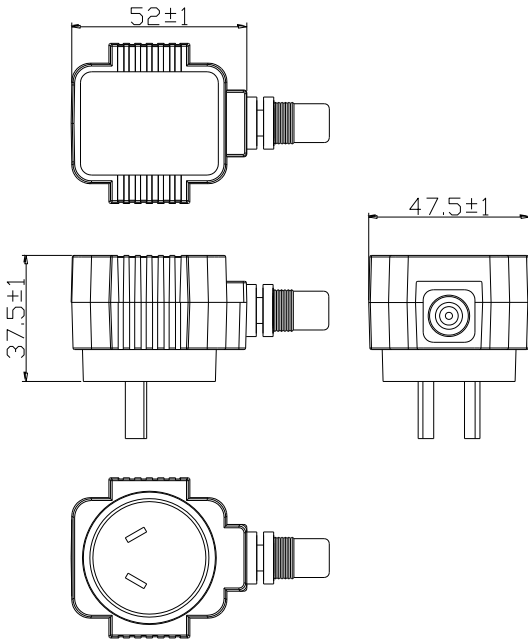
TDC Power Products Co.,Ltd
Cheng Yen Electronic Co.,Ltd

SA8S-360-0167

INPUT VOLTAGE : 100~240VAC
OUTPUT VOLTAGE : 36VDC

SWITCHING POWER SUPPLY SPECIFICATION REV:1-0

Drawing:



ELECTRONICAL SPECIFICATION

INPUT VOLTAGE :	100~240 Vac	INPUT RANGE VOLTAGE	90~264 Vac
INPUT FREQUENCY :	50~60 Hz	INPUT RANGE FREQUENCY	47~63 Hz
INPUT CURRENT :	0.15 Amp. rms. at 100 Vac		
INRUSH CURRENT :	8 Amp. peak at 120 Vac		
	15 Amp. peak at 240 Vac		
	Tested At Max. load 25°C , Cold start		
OUTPUT VOLTAGE :	36 V		
REGULATION :	±7 %		
MIN. LOAD CURRENT :	0 A		
MAX. LOAD CURRENT :	0.167 A	Use Resistor Load	
RIPPLE AND NOISE :	300 mVp-p Max. At 100~240 Vac, 50/60 Hz, Max. load 25°C		
NOISE TEST BANDWIDTH :	20 MHz		
Each output bypassed by a 10uF electrolytic capacitor parallel with a 0.1uF ceramic capacitor to GND.			
LINE REGULATION :	INPUT = 100 ~ 240 Vac. output loaded at Max. load. REGULATION = ± 7 %		
TOTAL OUTPUT :	6 W		
POWER EFFICIENCY :	71.4% Min. at 100~240 Vac 50/60 Hz. Max. load.		
OVER CURRENT PROTECTION :	0.5 A Max. at 100~240 Vac 50/60 Hz. Max. load.		
SHORT CIRCUIT PROTECTION :	5 W Max. at 100~240 Vac 50/60 Hz. Max. load.		
TOTAL POWER PROTECTION	10 W	LOW POWER COMSUMPTION :	0.3 W max.

MECHANICAL SPECIFICATION

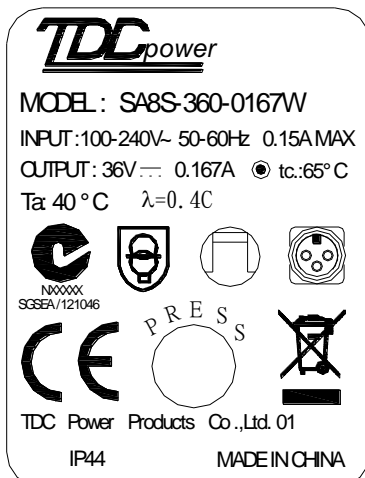
DIMENSIONS: 52 (L) * 47.5 (W) * 37.5(H)mm (Tolerance as drawing)
 WEIGHT: 94 g Max.
 OPERATING TEMPERATURE: -20°C To 40°C
 STORAGE TEMPERATURE: -30°C To 60°C
 RELATIVE TEMPERATURE: 40°C ± 2°C
 MTBF ≥ 100,000 hrs to MIL-HDBK-217F Warranty: 2 years

STANDARD

Input Cable : DIRECT PLUG-IN

Output Cable : 5.5*2.1mm Female socket BK

LABEL:
 SIZE:30.4*40.3mm

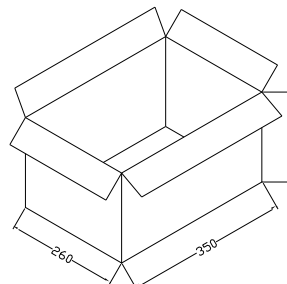
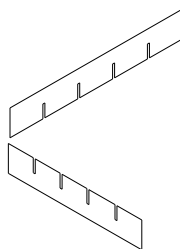


Safty: EN61347-1,EN61347-2-13.

EMC: EN55015,EN61000-3-2,EN61000-3-3,EN61547.

RELATIVE HUMIDITY 85% RH. Non-condensing

INNER BOX:



CARTON:350*260*300mm
Material:K=A NoNail
Q'TY 100 PCS
N.W.: 9.4 KGS
G.W.: 11.4 KGS
MEAS: 0.96 CUFT

PHOTO

